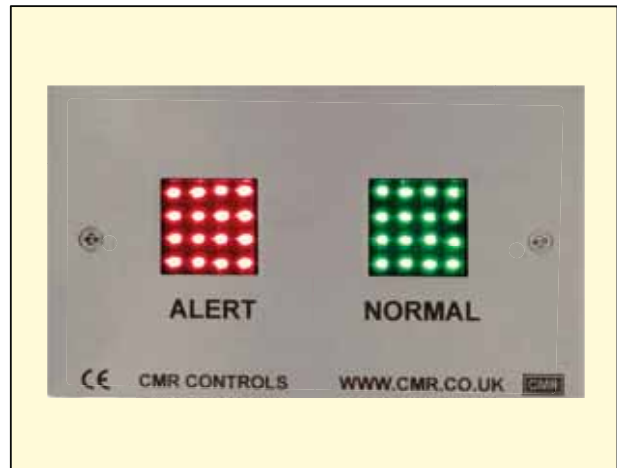


# LED-225 TWO WAY ALARM INDICATOR

- High visibility LED alarm indicator lights
- Audible alarm via onboard buzzer
- Stainless steel plate made to clean room finish
- Legends laser etched to user specifications
- Flush mounted acrylic protection lenses
- Front face washable and completely flush
- Standard double gang electrical back box
- Connections on rear terminals for remote buzzer
- Connections on rear terminals for mute input
- Can be installed vertically or horizontally
- Steel epoxy coated or Plastic surfaces optional
- CMR standard 24 month warranty
- 30 Years field application experience



LED-225 Alarm Indicator Plate

## GENERAL

The CMR Remote Indicator Plates have been designed to provide both visual and audible alarm signals for critical applications. The plate provides a flush finish when used in conjunction with a standard double gang electrical back box. Each of the coloured lamps is constructed from an array of 16 individual LED's. If one LED fails the remaining bank of LED's remain illuminated preventing the need for an immediate, and possibly costly, shut down of the process. This way any repairs can be carried out during scheduled maintenance shut downs. LED 1 is Green and LED 2 is Red. Each of these LED arrays has their own factory set brightness controls. These may be adjusted using potentiometers P1 (Green) and P2 (Red).

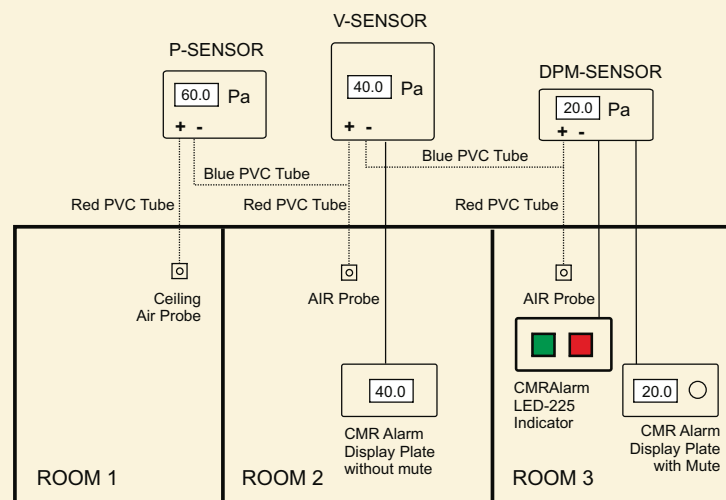
## CONSTRUCTION

The plate is manufactured from 2.0mm thick 316L Stainless Steel with a high quality 320 Grit Optisheen finish. The 26mm square windows are machined from clear acrylic and sealed to the plate to a protection rating of IP65. Text to customers requirements is added using a laser etching process which retains the plate's flat surface. This prevents the "Dirt Trap" normally associated with conventional engraving. The circuit board is fitted to 4 M4 pillars with matching nuts. The plate is supplied with 2. Stainless Steel M3.5x30mm pozidrive countersunk screws to suit standard electrical back boxes.



LED-225 alarm indicator plate with buzzer on wall

## Typical Clean Room or Laboratory Pressure Monitoring and Alarming



**CMR CONTROLS** Ltd  
Precision Air Pressure and Volume Sensors

22 Repton Court Repton Close  
Basildon Essex SS13 1LN GB  
web www.cmr-controls.com

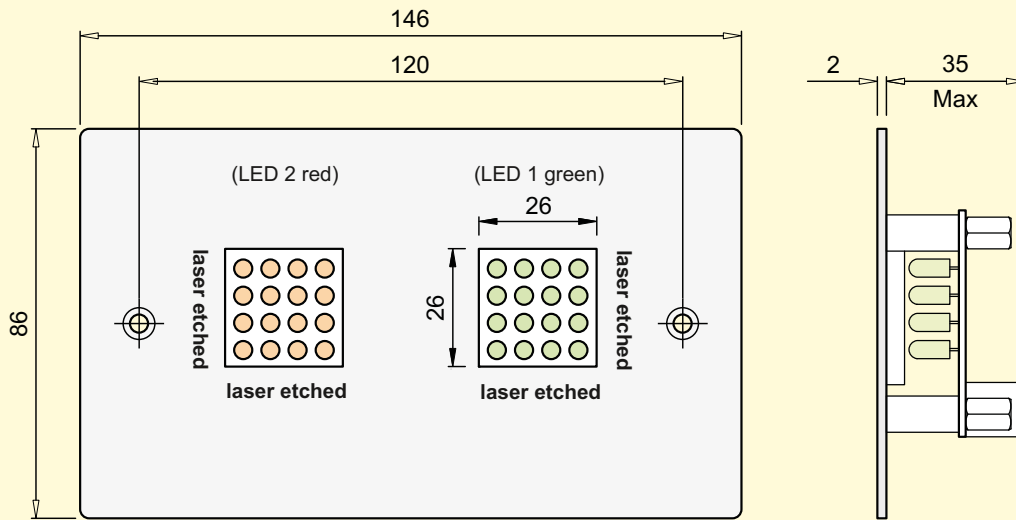
Phone +44 (0) 1268 287222  
Fax +44 (0) 1268 287099  
mail sales@cmr-controls.com



# LED-225 TECHNICAL INFORMATION

CMR Technical Data Indicator Plate LED-225 Part No 203-030	
Nominal Voltage	24Vac +/-10% 50/60 Hz / 24Vdc +/- 10%
Nominal current	115mA - 24Vac or 75mA - 24Vdc with both LEDs on
Power Consumption	2.8 VA for ac or 1.8 VA for dc
Electrical connections	Removable screw terminals
Buzzer output	80 dB on board - less if sealed into wall without hole in plate
Protection Rating	IP65 on front face - plate has to be sealed into wall.
Conformity	EN61000-6 EMC
Weight	0.3 kg approx.

Dimensions in mm can be installed horizontally or vertically - laser text must be specified



Connection diagram - PCB viewed from rear

