

MDF FLOWPROBE

ORDER SELECTION

HOW TO ORDER

Call sales at CMR and provide the duct diameter, the minimum and maximum air volume in l/s, m3/s or m3/h and how it is to be mounted in the duct.

You can however configure the part number yourself by using the table below. The selection table has been prepared to make ordering easy. Each column contains a number of different options which can be selected to configure a part number using the mounting type and duct dimensions.

The example part number MDF-24-0500 which is printed above the selection table can be used to try to configure a Part Number to be used in your new application.

The sample shows it is a Multipoint Duct Flowprobe, having a base part Number of MDF - the probe material is Type '24' - the MDF Probe fits a duct diameter of 500mm

Example Part Number configuration
The code after the [=] sign is used to form the number

MDF-	24-	0500	
Duct Flow	Probe	Duct	
Probe	Type	diameter in mm	
Part No.		'L'	
Base = MDF	Type = 24	L = 080	
	Anodized	L = 100	
	Aluminium	L = 125	
		L = 140	
		L = 150	
		L = 160	
		L = 180	
		L = 200	
		L = 224	
		L = 250	
		L = 280	
		L = 300	
		L = 315	
		L = 355	
		L = 400	
		L = 450	
		L = 500	
		L = 560	
		L = 600	
		L = 630	
		L = 710	

EXAMPLE

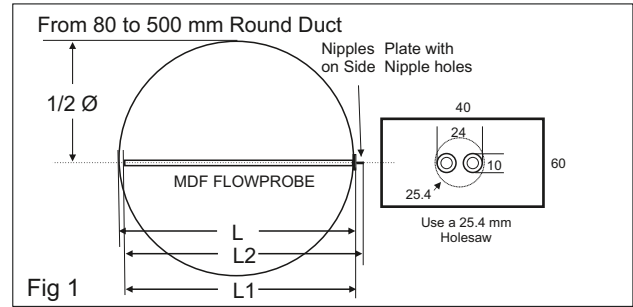
A duct mounted Multipoint Flowprobe required
The Probe must be anodized Aluminium
The Probe must fit into a round duct with a 500mm Ø diameter.

The part number for this Multipoint Ductprobe is **MDF-25-0500**

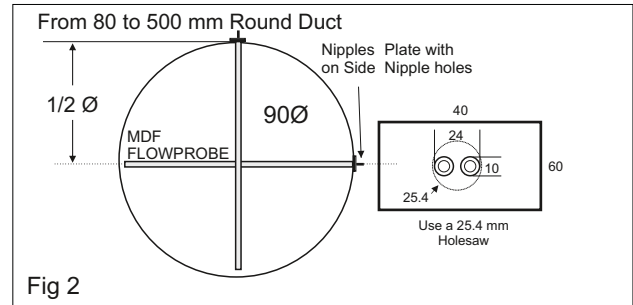
Now select the Duct Flowprobe for your installation

MDF	xx	xxxx
-----	----	------

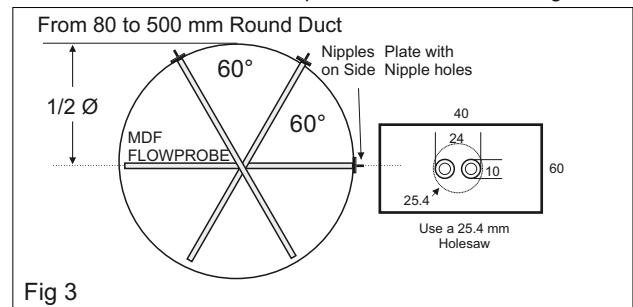
Call CMR for free assistance at any time.



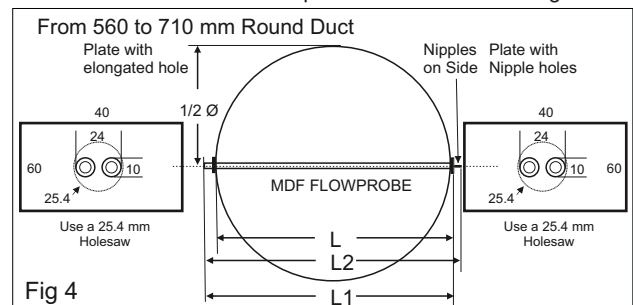
MDF Flowprobe in a round duct single sided



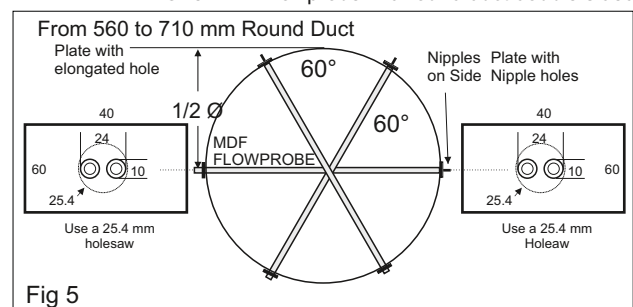
Two MDF Flowprobes in a round duct single sided



Three MDF Flowprobes in a round duct single sided



One MDF Flowprobe in a round duct double sided



Three MDF Flowprobes in a round duct double sided

CMR CONTROLS Ltd
Precision Air Pressure and Volume Sensors

22 Repton Court Repton Close
Basildon Essex SS13 1LN GB
web www.cmr-controls.com

Phone +44 (0) 1268 287222
Fax +44 (0) 1268 287099
mail sales@cmr-controls.com

